

■ 50/75 FOOT LEGIBLE EXIT

TES-157/257 SERIES UL924 PHOTOLUMINESCENT EXIT SIGN

FEATURES

- World's most eco-friendly and energy efficient exit sign
- 100% recycled aluminum body
- Easy Installation
- Architectural "high end" aesthetic appeal
- High and low level application
- Maintenance free
- Does not require monthly battery backup testing
- Listed to UL 924 through Underwriter's Laboratories
- ICC ES #6040 meets all current building codes
- Meets NFPA Life Safety 101 and OSHA requirements
- Surface, flag, or ceiling mount
- 25+ year life expectancy
- 7" letter height X 3/4" stroke
- Consistent illumination
- ULTRA low profile construction (1/16" thin)
- Non-Electric - Uses ambient lighting to charge
- Non-Toxic
- Non-Radioactive
- Energy efficient
- Uses latest generation of PL-Technology
- Fully recyclable materials

FRAMED DIMENSIONS

A

No Chevrons One or Both Chevrons

8.625" X 12.125"

B

8.625" X 16"



TES-257-1-R-FMBA

DESIGN

The TES-157 Series is the top of the line photoluminescent exit sign manufactured by The Exit Store. The vandal resistant aluminum body provides durability while the face of the sign features baked enamel with a polished clear coat for a brilliant shine. Face colors available are Red, Green and Black. Manufactured from 100% recycled aluminum makes this model eco-friendly and allows for the sign to be fully recycled, a benefit for buildings seeking sustainable design solutions.

APPLICATION

Suitable for both high and low level exit sign applications.

CHEVRONS

Sign comes in two designs, no arrows, and an optional arrow kit. Chevrons are available in left, right or double configurations and are permanent.

VIEWING DISTANCES

UL Listed 50 and 75-foot legible viewing distances.

CLEANING

Cleaning of the sign face should be done with a non-abrasive cloth dampened with water. Do not use chemical solvent.



TES-157-1-G-UB

7" letter height - 3/4" letter stroke



TES-157/257

50/75 FOOT LEGIBLE EXIT

ORDERING INFORMATION FOR TES-157: Example TES-157-0-G-UB

Model Number	Arrows	Face Color	Frame Option
<input type="text"/>	<input type="text"/>	<input type="text"/>	<input type="text"/>

- TES-157 (50 Foot)
- 0 No Arrows
- 1 Arrow Kit
- G Green
- R Red
- B Black
- UB Universal Black
- FMBA Flush Mount Brushed Aluminum

ORDERING INFORMATION FOR TES-257: Example TES-257-1-R-FMBA

Model Number	Arrows	Letter Color	Frame Option	<input type="text"/>
<input type="text"/>	<input type="text"/>	<input type="text"/>	<input type="text"/>	<input type="text"/>

- TES-257 (75 Foot)
- 0 No Arrows
- 1 Arrow Kit
- G Green
- R Red
- UB Universal Black
- FMBA Flush Mount Brushed Aluminum

CODE & STANDARDS COMPLIANCE

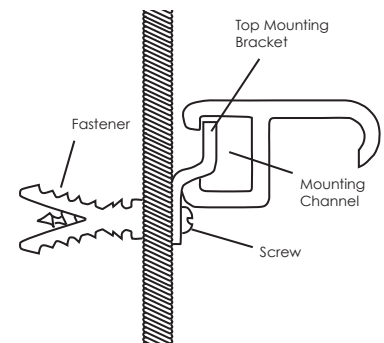
The Exit Store UL-924 UL Exit Signs are UL 924 Listed and compliant with a wide range of codes and standards including, but limited to, the following: DIN 67510-1, ISO/CD 15370, ASTM 162, ASTM 662, ASTM E 2072-00, NFPA Life Safety Code 101, 1998 California Building Code and Fire Code



California State Fire Marshall Approved

SECURITY LOCK-IN SYSTEM FOR EXIT SIGN FRAMES

Ingeniously simple, the Security Lock-in System attaches the frame to the wall rather than hanging the frame from the wall, making removal extremely difficult without the Security Frame Wrench.



FRAMING SYSTEM

The 1/2" thick universal aluminum frame comes in black and allows for top, side, and back mounting which uses a locking t-screw system to prevent vandalism.

The Flush Mount Low Profile Aluminum frames are available in a Brushed or Powder Coated finish for the Arrow Kit model only. This frame can suitable for surface mount applications and protrudes only 3/16" from the wall. The Flush Mount frame comes with locking hardware.



UB Frame Shown



FMBA Frame Shown