

Architectural Recessed
■ **EMERGENCY LIGHTING**

Self-Contained Recessed Gimbal Fixture PAR36 Halogen Lamp



**ARCHITECTURAL FULLY RECESSED
EMERGENCY LIGHTING**

OVERVIEW

The TES-RDO is a self-contained recessed PAR36 gimbal emergency lighting fixture. The RDO is ideal for commercial and institutional areas where low level or suspended ceiling installed emergency lighting is desired. The fixture's matte white trim ring and gimbal assembly blends nicely with existing recessed lighting schemes.

ILLUMINATION

Illumination is provided by a high-output PAR36 halogen lamp head. The RDO uses a 6-volt, 8-watt PAR36 sealed beam lamp. The lamp can be adjusted in two planes up to 26° for application flexibility.

INSTALLATION

Suitable for installation into suspended, plaster, and sheetrock ceiling applications. Instructions and mounting hardware are included with the RDO.

ELECTRONICS

120/277 VAC dual voltage input with surge-protected, solid-state charging circuitry provides for a reliable charging system.

Charging system is complete with low voltage disconnect, AC lockout, brownout protection, AC indicator lamp and push-to-test switch.

HOUSING

- Aluminum housing and gimbal assembly with a compact, low profile design.
- Housing and gimbal assembly are standard with a matte white finish.
- Mounting clips provided for direct installation.
- Easy recessed installation in suspended ceilings.
- Trim kit included for plaster and sheetrock ceiling installation.

EMERGENCY OPERATION

Maintenance-free, sealed lead calcium batteries. Supplies 90 minutes of emergency power. Estimated service life of 5 years at an operating temperature of 65°F to 85°F.

CODE COMPLIANCE

UL 924 listed for insulated ceiling systems (IC rated). NFPA 101, NEC, BOCA, OSHA, and IBC illumination standards. Meets ADA specifications for wall mounted lighting fixtures.

ELECTRICAL SPECIFICATIONS

Input power requirementsL
 120VAC - 0.07 amps, 8.4 watts
 277VAC - 0.04 amps, 8.8 watts
 Emergency Operation
 10.0 watt output capability

WARRANTY

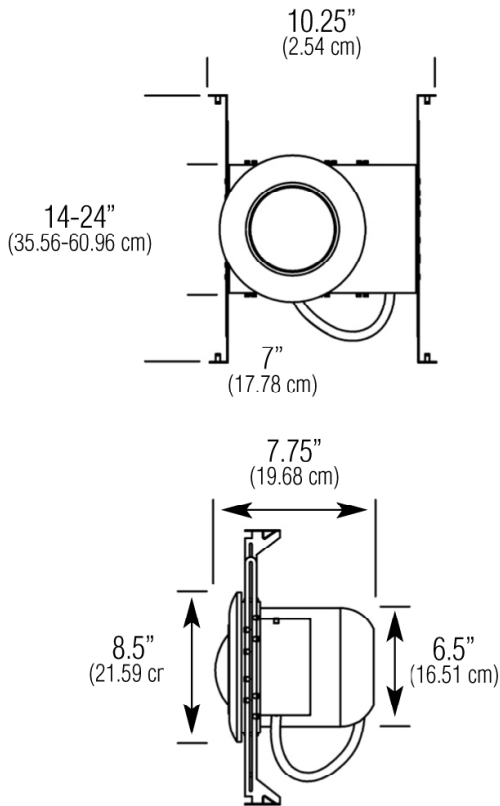
Three year full electronics warranty. One year plus four year prorated lead calcium battery warranty.



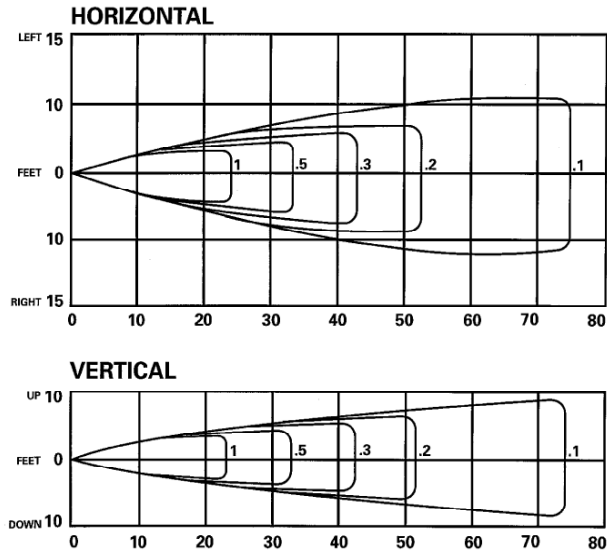
RDO

Architectural Recessed

DIMENSIONS



PHOTOMETRICS



ORDERING INFORMATION

Product Code: TES-RDO